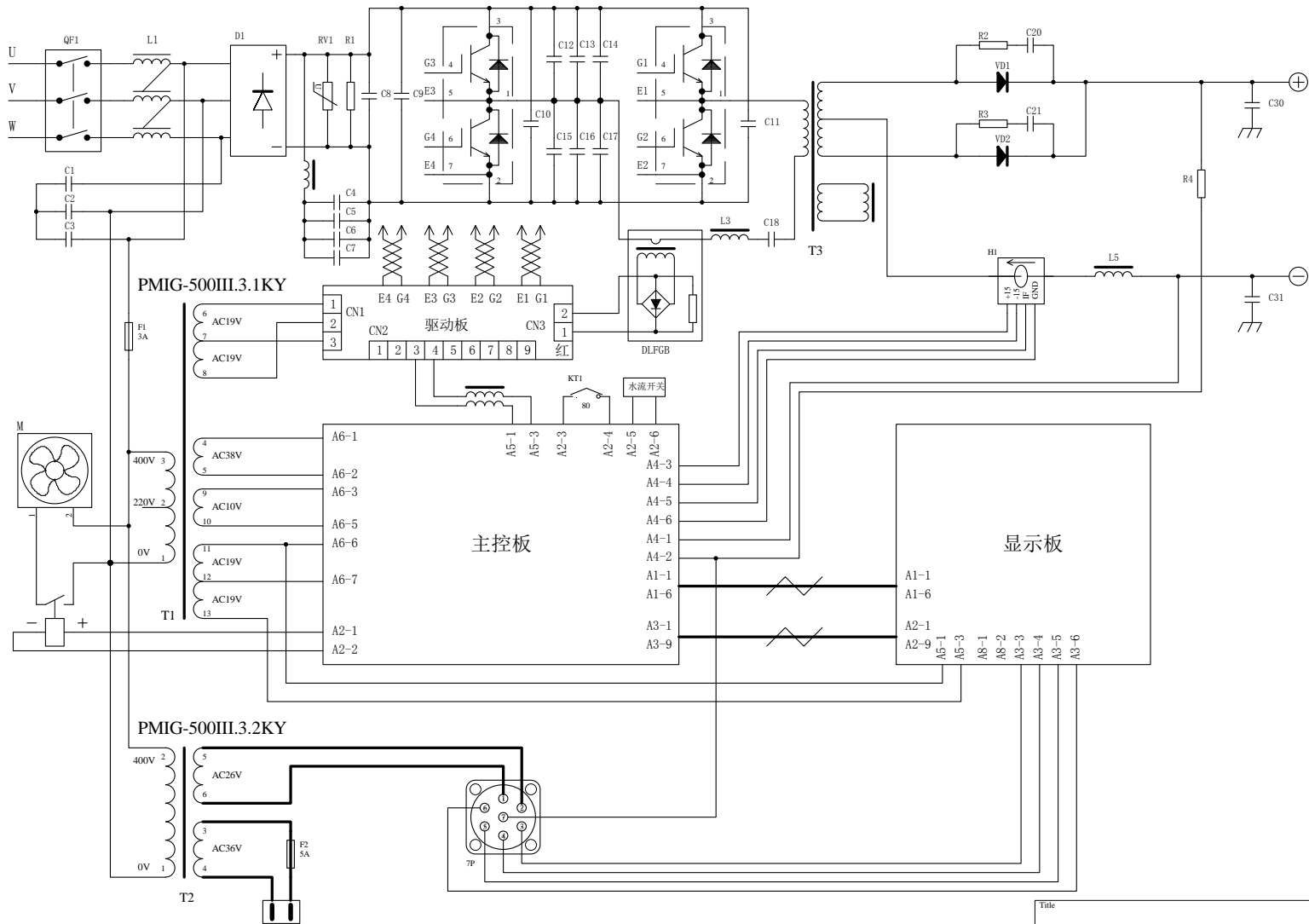
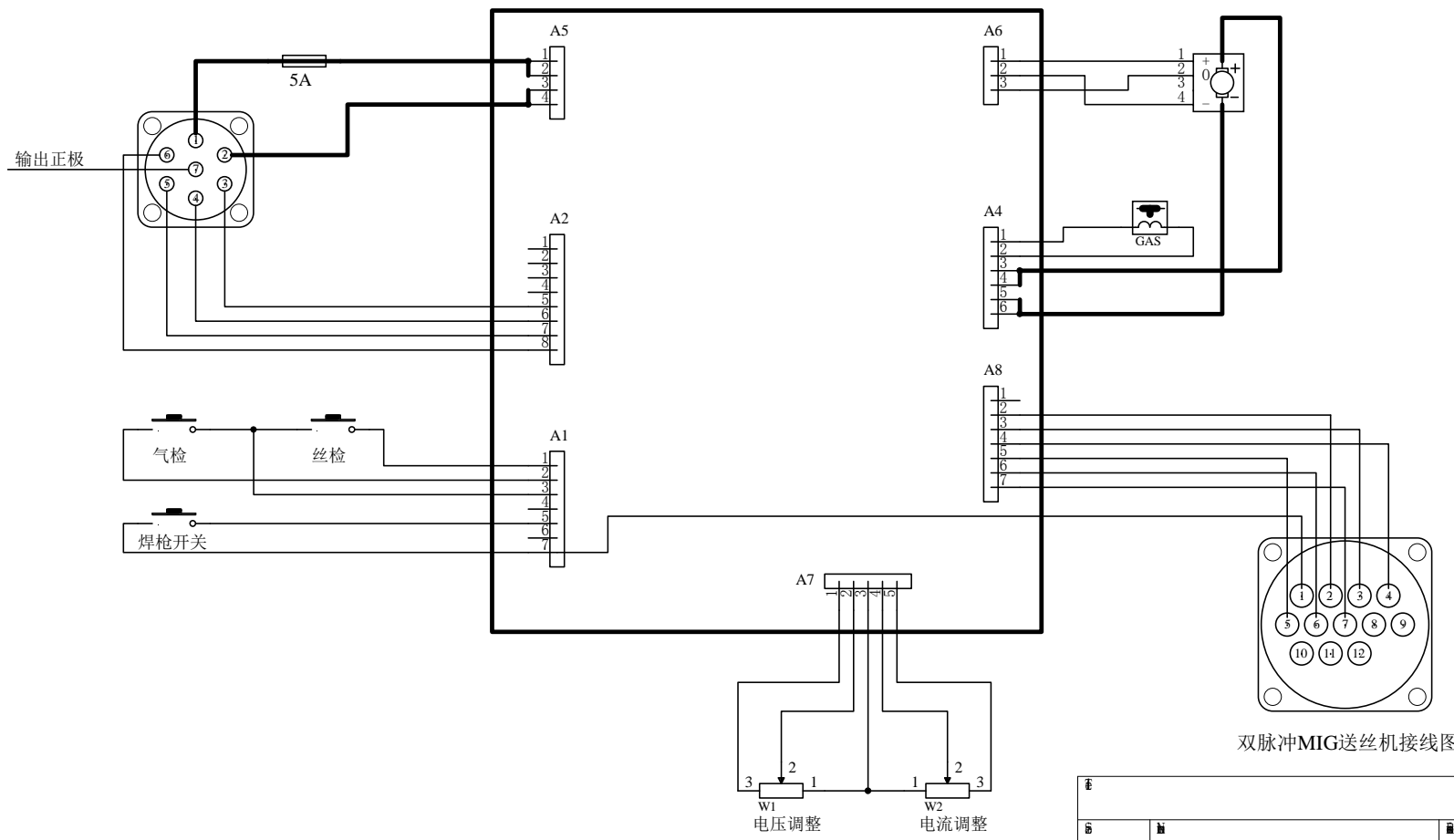


TITLE
 5/20 5/20 Number
 A2
 Date: 5 May 2019 Sheet of
 File: C:\Users\kennel\source\Projects\PCB\PCB20190505.dwg



Title		
Size	Number	Revision
A3		
Date:	23-Dec-2017	Sheet of
File:	C:\Users\Administrator-WIN-20170224\88	Desktop\06-PMIG驱动板接线图.DDB



双脉冲MIG送丝机接线图

①	②	③	④	⑤	⑥
①	②	③	④	⑤	⑥
①	②	③	④	⑤	⑥